

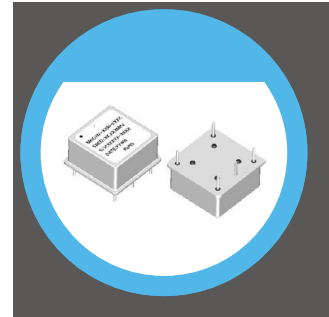
NE Type 25.4 x 25.4 mm Oven Controlled Crystal Oscillator

FEATURE

- Dimension 25.4 x 25.4 x 12.7 mm typical.
- SC Cut Crystal.

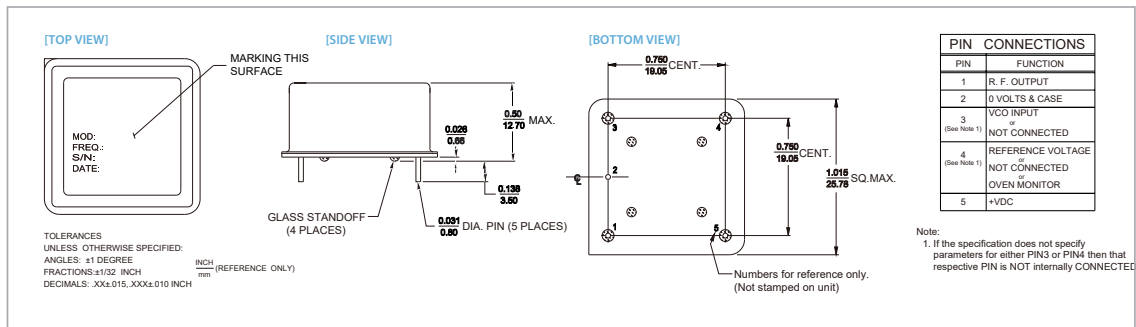
APPLICATION

- SDH/SONET, Telecommunication base station
- Test and measurement equipment
- Synthesizer, Digital switch, Reference Timing Circuit



RoHS Compliant

DIMENSION



ELECTRICAL SPECIFICATION

Parameter	Min.	Typ.	Max.	Unit	Test Condition & Notes
Output					
Frequency	—	10	—	MHz	Available frequency range is from 5Hz to 40MHz. Standard frequencies are 10, 12.8, 13, 15.36, 19.2, 20, 25, 38.88MHz.
Waveform	—	Rectangular	—		Since wave output is available. Consult factory for more information.
Level	—	TTL	—		
"1" Level	2.4	—	—	V	
"0" Level	—	—	0.4		
Load	—	15	—	pF	
Duty cycle	45	50	55	%	@ +1.4 V
Spurious	—	—	-60	dBc	
Frequency Stability					
Ambient	-10	—	+10	ppb	-30°C to +70°C, referenced to +25°C. Refer to Freq. Stability Vs Temp. Range table.
Aging	—	—	—		
Daily	-0.5	—	+0.5	ppb	after 30 days
Yearly	-50	—	+50		
10 years	-0.3	—	+0.3	ppm	
Voltage	-5.0	—	+5.0	ppb	±5% hange
Warm-up	-10	—	+10		In 10 minutes @ +25°C, referenced to 1 hour
Phase Noise	—	—	-120	dBc/Hz	@ 10 Hz
Phase Noise	—	—	-135		@ 100 Hz
Phase Noise	—	—	-145		@ 1 kHz
Phase Noise	—	—	-150		@ 10 kHz
Electrical Frequency Adjustment					
Range	+0.5	—	-0.5	ppm	VCO @ 0 V
Control	0	1.65	3.3	V	VCO @ +3.3 V
Slope	—	Positive	—		
Input impedance	100	—	—	kΩ	
Input Power					
Voltage	3.135	3.3	3.465	V	5.0V input voltage is available. Consult factory for control voltage and output level.
Current	—	—	1000	mA	@ turn on
Steady state	—	—	1.3	W	@ +25°C

FREQ. STABILITY vs. TEMP. RANGE

Temp. (°C)	ppb		
	±3	±5	±10
0 ~ +70	○	○	○
-30 ~ +70	△	○	○
-40 ~ +85	△	○	○

* ○: Available △: Conditional X: Not available

Note: not all combination of options are available. Other specifications may be available upon request.