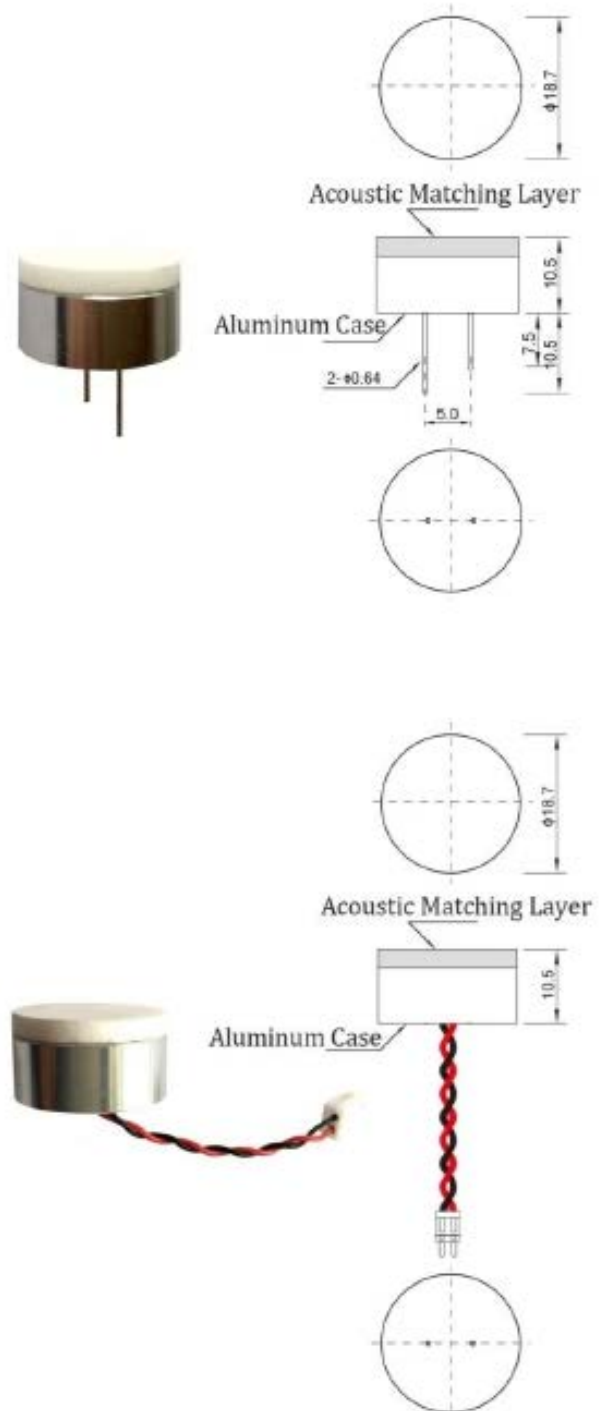


Specifications:

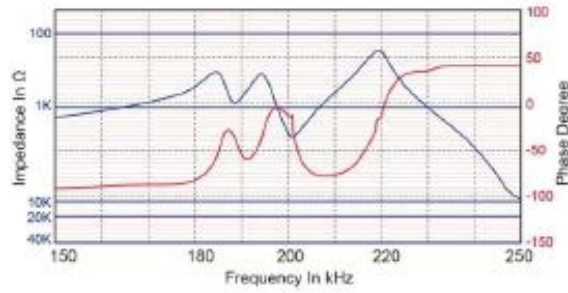
- Operating Frequency: 200 kHz \pm 2%
- Echo Sensitivity: -65 dB Min.
(0dB = 100Vpp 10 Bursts/20cm)
- Capacitance at 1 kHz: 385 pF \pm 20%
- Ringing: 1.2 ms Max.
- Typical Directivity: 85°
(-6dB)
- Max Driving Voltage: 150 Vp-p
(Impulse wave)
- Operating Temperature: -30 ~ 80 °C
- Housing: Aluminum

*All above parameters were measured at 25°C.
*Actual properties are depending on drive circuit.

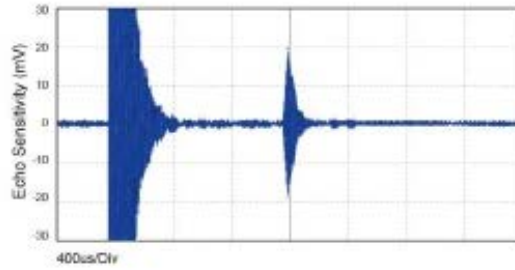
Appearance & Dimensions



Impredance Magnitude / Phase



Echo Sensitivity & Ringing



Directivity

